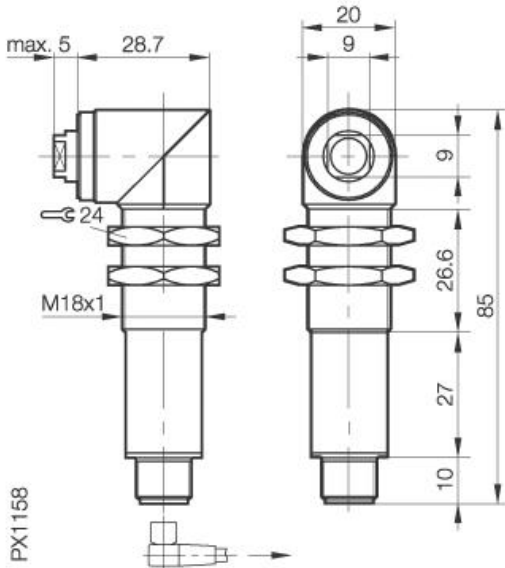


Photoelectric Sensor
BLS 18MR-XX-1LT-S 4-C
Sn=50000mm
Laser-through-beam



PX1158

Common Data

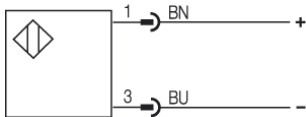
Series	18MR
Sensortype	Laser-through-beam
Rated operating distance Sn in mm	50000
asured operating distance Sa	50000
Ambient temperature	-10...+50°C
Light class 2	Laser, red, 660nm, Protection

Mechanical Data

Measurements	M18x85
Shock	Halfsinus, 30gn, 11ms
Vibration	10...55Hz, 1,5mm Amplitude 3x2h
Housing material	nickel plated brass
Material of sensing face	Glass
Degree of protection	IP65
Connection	Connector S4 (M12)

Electrical Data

Current	DC
Rated operational voltage Ue	24V DC
Supply Voltage	10...30V DC
Ripple	< 10% from UB
Frequency of Supply Voltage	DC
Protected against polarity reversal	yes
Rated insulation voltage	250V AC



Utilization categories
 Insulation class

Datasheet number:

Definitions see general catalog.
 If not otherwise noted, ratings according to
 IEC 60947-5-2 (DIN EN60947-5-2)

Balluff GmbH
 Schurwaldstrasse 9
 73765 Neuhausen a.d.F.
 Phone (07158) 173-0 Fax (07158) 5010

Datenblatt by CD-ROM - 04/2007

BALLUFF
sensors worldwide